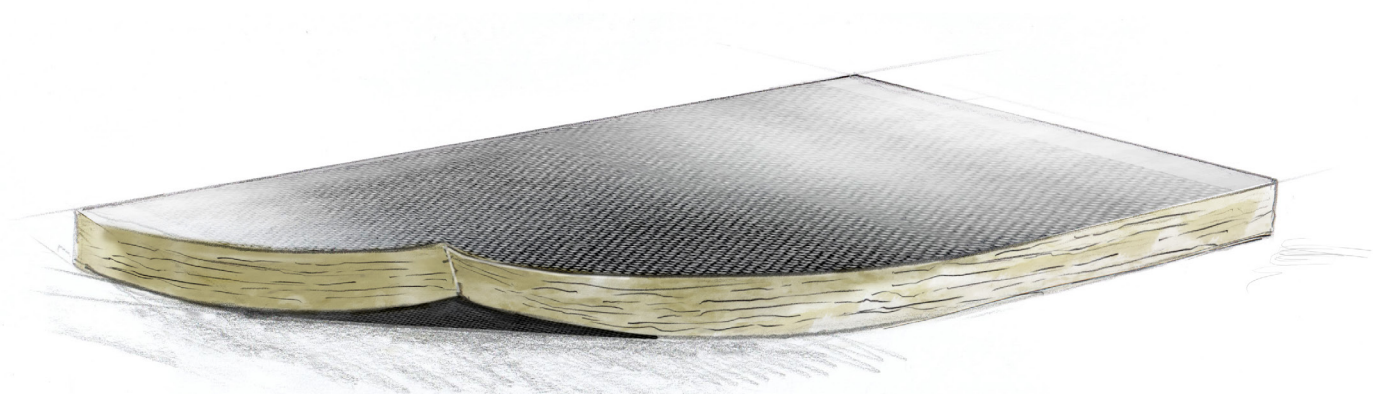


r. **Whiz[®]T**
Acoustic mineral
wool slab



Energy to live



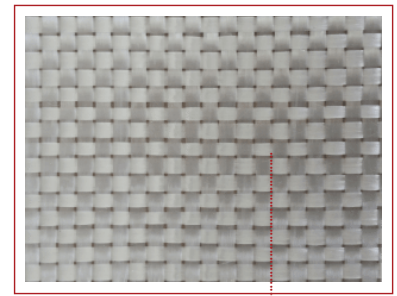
ROHHE[®]

Product

r. Whiz[®]T

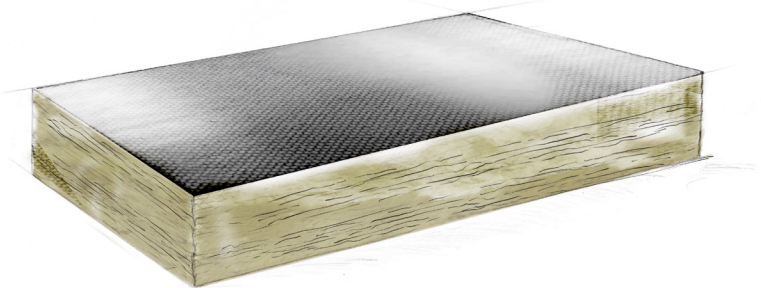
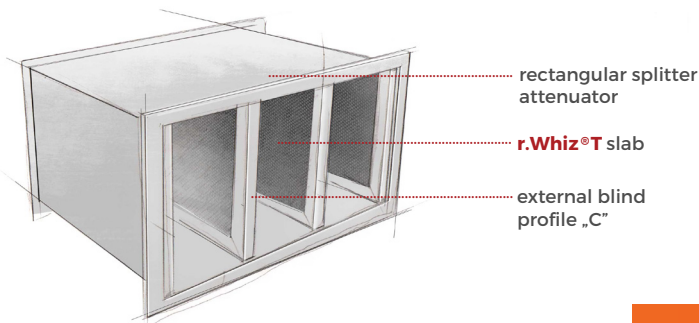
is a mineral wool slab covered with special non-woven fibreglass cladding. The mineral wool has excellent sound absorption properties. The layout of mineral wool fibres and an innovative method of glueing the fabric make an r.Whiz[®]T slab very stiff and guarantee permanence of mechanical and absorption properties. The fabric effectively prevents tearing fibres with an airflow of up to 35 m/s. It also has a special antifungal coating thanks to which the product meets the most severe hygiene requirements.

Cladding structure

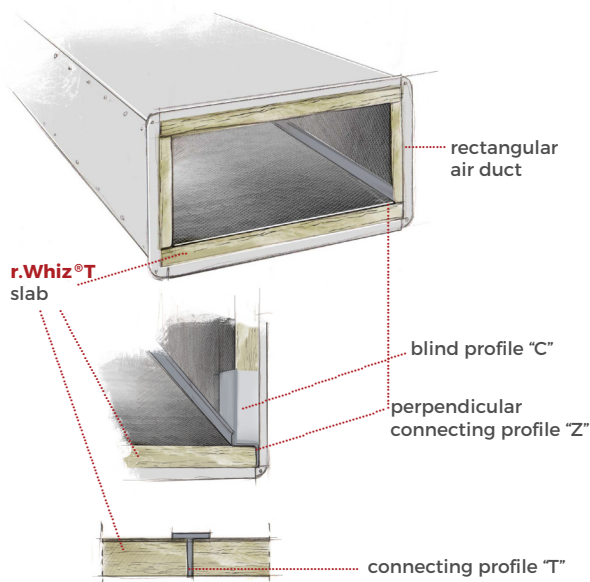


Woven fibreglass

Acoustic splitter attenuator



Acoustic insulation of the air duct



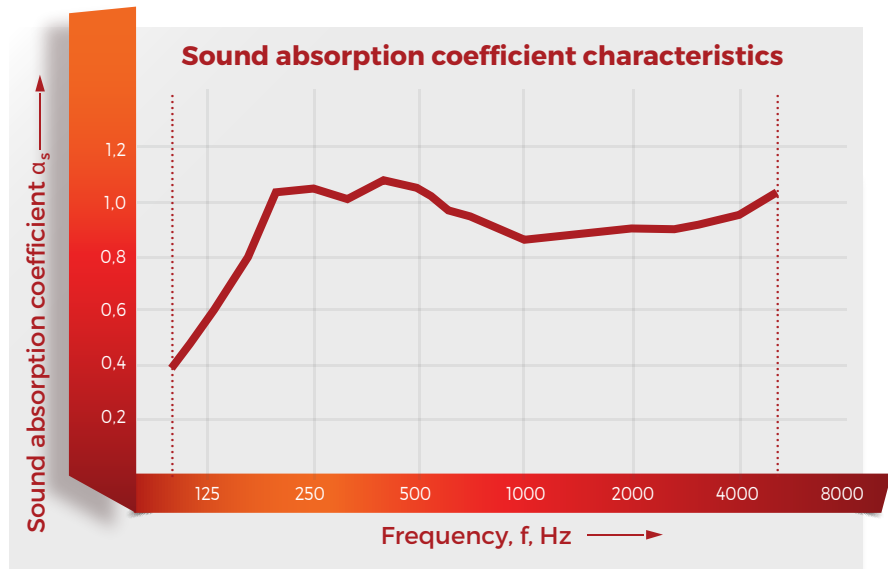
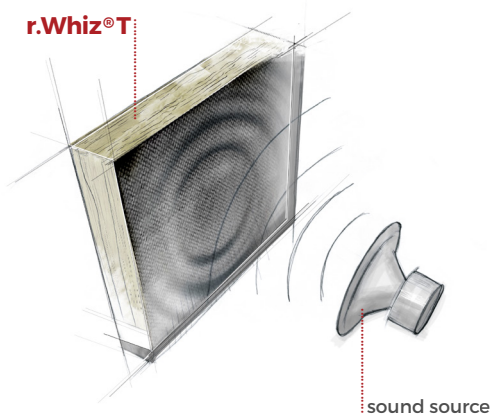
Application

r. Whiz[®]T

is intended for acoustic, thermal, fire protection and anti-condensation insulation inside air ducts. The product is also used as a sound absorber inside acoustic attenuators and other devices and elements of an air distribution system.

Highest sound absorption class

The **r.Whiz®T** slabs show very good sound absorption properties and are classified as products of the highest absorption class - Class A.



Dimensions and density

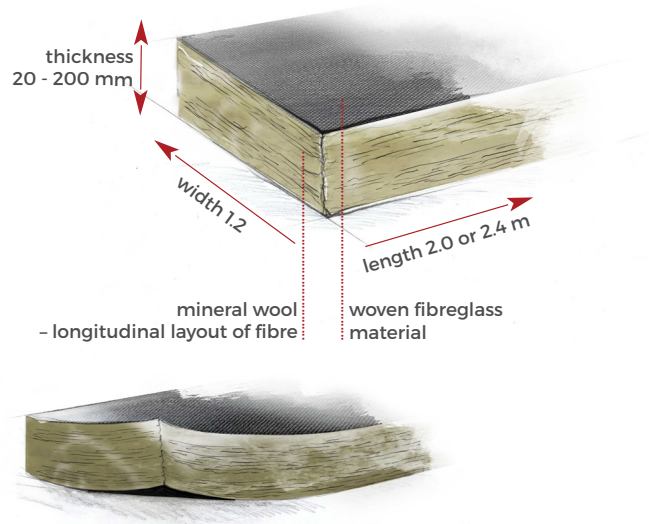
r. Whiz®T

occurs in a variety of thickness from 20 to 200 and in three densities:

- r.Whiz®T3 - approx. 35 kg/m³
- r.Whiz®T5 - approx. 50 kg/m³
- r.Whiz®T8 - approx. 75 kg/m³

The offered range of thicknesses facilitates the selection of the optimum variant for the insulated component, and the choice of the right density ensures that the appropriate sound attenuation characteristics and mechanical rigidity are achieved.

Product structure



The **r.Whiz®T** slabs are also available with a double-sided cladding - **r.Whiz®TD** type.

Technical details

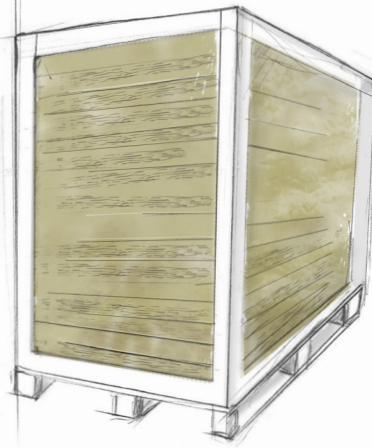
PARAMETER	VALUE	UNIT	SYMBOL	STANDARD
sound absorption coefficient	0,95	-	α_w	EN ISO 11654
specific air flow resistance	≥ 10	kPa·s/m ²	AF _r 10	EN ISO 9053-1
reaction to fire	incombustible	class	A2-s1, d0	EN 13501-1
maximum service temperature	250	°C	ST(+) ₂₅₀	EN 14706
short-term water absorption	≤ 1	kg/m ²	WS1	EN 13472
thickness tolerance	-1% lub -1mm/+3mm	% lub mm	T5	EN 13467

Product CE code MW-EN 14303-T5-ST(+)₂₅₀-WS1-AW0,95
 Product Standard PN-EN 14303:2009+A1:2013
 Product Documents www.rohhe.com/documents



Packaging method

The **r.Whiz®T** slabs are stacked 1.2 m high on a wooden pallet. All edges are protected with protective corners, and the top surface is covered with a rigid divider to allow stacking of pallets. The pallets are protected by heavy-duty LDPE hoods and additionally wrapped in stretch film. The adopted method of packaging solidly protects the product from dirt and mechanical damage that may occur during transport, storage or other warehouse operations.



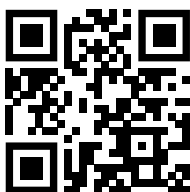
Dimensions and quantity - Whiz®T5 i Whiz®T8

THICKNESS	WIDTH	LENGTH	QUANTITY ON A PALLET	QUANTITY ON A PALLET	HEIGHT ON A PALLET
mm	mm	mm	Psc	m ²	m
20	1200	2400	60	172,80	1,2
30	1200	2400	40	115,20	1,2
50	1200	2400	24	69,12	1,2
80	1200	2400	15	43,20	1,2
100	1200	2400	12	34,56	1,2
150	1200	2400	8	23,04	1,2
200	1200	2400	6	17,28	1,2

Dimensions and quantity - Whiz®T3

THICKNESS	WIDTH	LENGTH	QUANTITY ON A PALLET	QUANTITY ON A PALLET	HEIGHT ON A PALLET
mm	mm	mm	szt.	m ²	m
20	1200	2000	60	144,00	1,2
30	1200	2000	40	96,00	1,2
50	1200	2000	24	57,60	1,2
80	1200	2000	15	36,00	1,2
100	1200	2000	12	28,80	1,2
150	1200	2000	8	19,20	1,2
200	1200	2000	6	14,40	1,2

ROHHE Partner:



www.rohhe.com

ROHHE Sp. z o.o.

05-555 Tarczyn, Al. Krakowska 19A
tel. +48 22 299 88 33, biuro@rohhe.pl

Orders: 736 233 377, zamowienia@rohhe.pl
Logistics: 736 233 372, logistyka@rohhe.pl
Sale - Poland: 736 233 371, 736 233 375, 797 654 015, 793 500 140,
736 233 378, 736 233 374, sprzedaz@rohhe.pl
Sale - Export: 736 233 379, export@rohhe.pl

